

## Protocol converter - GW PL HART8-R-BUS - 2702880


Please be informed that the data shown in this PDF Document is generated from our Online Catalog. Please find the complete data in the user's documentation. Our General Terms of Use for Downloads are valid (<http://phoenixcontact.com/download>)



Eight-channel HART<sup>®</sup> expansion module, with screw connection, with 250  $\Omega$  internal input resistors



### Key Commercial Data

Packing unit	1 pc
GTIN	 4 055626 384795
GTIN	4055626384795
Weight per Piece (excluding packing)	200.000 g
Custom tariff number	85176200
Country of origin	Germany

### Technical data

#### Dimensions

Width	45 mm
Height	99 mm
Depth	114.5 mm

#### Ambient conditions

Ambient temperature (operation)	-40 °C ... 70 °C
	-40 °F ... 158 °F
Ambient temperature (storage/transport)	-40 °C ... 85 °C
Degree of protection	IP20

#### General

Test voltage data interfaces	500 V AC
------------------------------	----------

# Protocol converter - GW PL HART8-R-BUS - 2702880

## Technical data

### General

Test voltage data interface/power supply	500 V AC
Electromagnetic compatibility	Conformance with EMC Directive 2004/108/EC
Mounting position	any
Assembly instructions	on standard DIN rail NS 35 in accordance with EN 60715
Mounting type	DIN rail mounting
Net weight	310 g
Color	gray
MTBF	272 Years (Siemens model SN29500, temperature 40°C, env. factor 1.5 and stress factor 50%)
Conformance	CE-compliant

### Power supply

Typical current consumption	46 mA (at 24 V DC)
-----------------------------	--------------------

### Interfaces

Interface 1	HART FSK
Interface	Analog
No. of ports	8
Connection method	Screw connection

### Standards and Regulations

Electromagnetic compatibility	Conformance with EMC Directive 2004/108/EC
Conformance	CE-compliant
Noxious gas test	ISA-S71.04-1985 G3 Harsh Group A

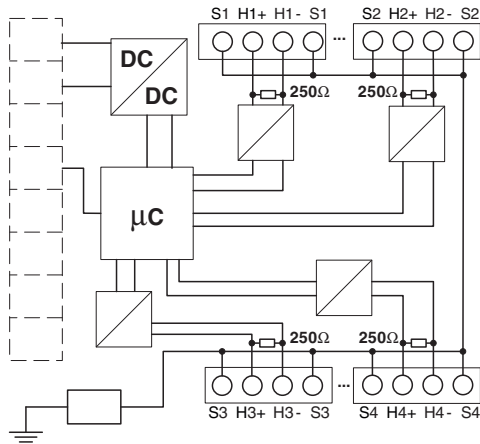
### Environmental Product Compliance

China RoHS	Environmentally Friendly Use Period = 50 years
	For details about hazardous substances go to tab "Downloads", Category "Manufacturer's declaration"

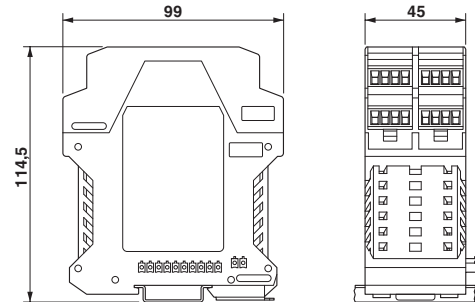
## Drawings

# Protocol converter - GW PL HART8-R-BUS - 2702880

Block diagram



Dimensional drawing



## Classifications

### eCl@ss

eCl@ss 10.0.1	27242208
eCl@ss 11.0	27242208
eCl@ss 5.0	27242700
eCl@ss 5.1	27242700
eCl@ss 6.0	27242200
eCl@ss 7.0	27242208
eCl@ss 9.0	27242208

### ETIM

ETIM 6.0	EC001423
ETIM 7.0	EC001423

### UNSPSC

UNSPSC 13.2	39122114
UNSPSC 18.0	39122114
UNSPSC 19.0	39122114
UNSPSC 20.0	39122114
UNSPSC 21.0	39122114

## Accessories

Accessories

Gateways/Proxies

## Protocol converter - GW PL HART8-R-BUS - 2702880

### Accessories

#### Ethernet HART multiplexer - GW PL ETH/UNI-BUS - 2702233



Ethernet head station for modular HART gateway. Connect up to five GW PL HART...-BUS expansion modules to communicate with up to 40 HART devices. Supports Modbus TCP, OPC UA, PROFINET, HART IP, FDT/DTM and Arcom.

---

#### Ethernet HART multiplexer - GW PL ETH/BASIC-BUS - 2702321



Ethernet head station for modular HART gateway. Connect up to five GW PL HART...-BUS expansion modules to communicate with up to 40 HART devices. Supports Modbus TCP, HART IP, FDT/DTM and Arcom.

---

### I/O component

#### Protocol converter - GW PL HART8-BUS - 2702235



Eight-channel HART<sup>®</sup> expansion module, with screw connection

---

#### Protocol converter - GW PL HART8+AI-BUS - 2702236



Eight-channel HART<sup>®</sup> expansion module with analog loop supply and screw connection

---

#### Protocol converter - GW PL DIO4-BUS - 2702237



Four-channel digital input and four-channel digital output module with screw connection

---

## Protocol converter - GW PL HART8-R-BUS - 2702880

### Accessories

Protocol converter - GW PL HART4-R-BUS - 2702879



Four-channel HART<sup>®</sup> expansion module, with screw connection, with 250  $\Omega$  internal input resistors

---

Protocol converter - GW PL HART4-BUS - 2702234



Four-channel HART<sup>®</sup> expansion module, with screw connection

---

### Necessary add-on products

Ethernet HART multiplexer - GW PL ETH/UNI-BUS - 2702233



Ethernet head station for modular HART gateway. Connect up to five GW PL HART...-BUS expansion modules to communicate with up to 40 HART devices. Supports Modbus TCP, OPC UA, PROFINET, HART IP, FDT/DTM and Arcom.

---

Ethernet HART multiplexer - GW PL ETH/BASIC-BUS - 2702321



Ethernet head station for modular HART gateway. Connect up to five GW PL HART...-BUS expansion modules to communicate with up to 40 HART devices. Supports Modbus TCP, HART IP, FDT/DTM and Arcom.

---